

# LUMEN MAX GARAGE LIGHT

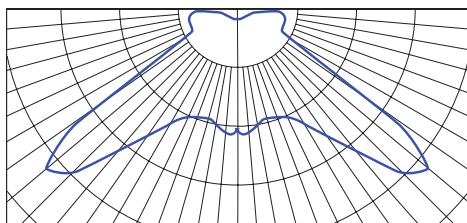
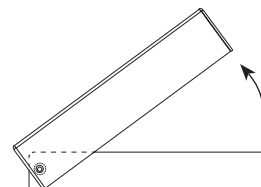
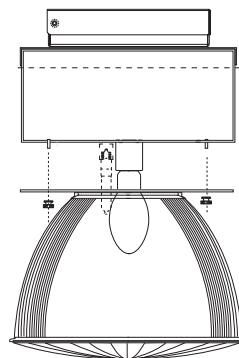
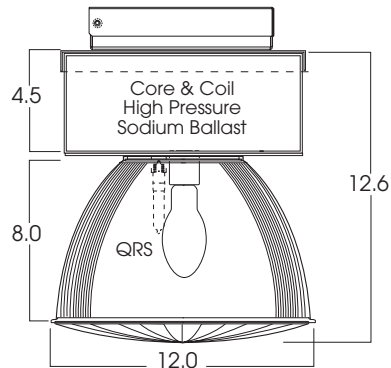


150 WATT HIGH PRESSURE SODIUM



## PRODUCT INFORMATION:

- GDH Series Garage Light features low profile housing and refractor.
- Single piece lens assembly is factory sealed and gasketed.
- Thumb screws allow tool-free re-lamping.
- Wet location listed.
- Manufactured and tested to UL Standard no. 1598. ETL Listed.



**PRGDH12HS 150 H1 PR12 DCL/POLY WL**

Total Rated Lamp Lumens- 15800

Total Luminaire Efficiency- 90.3%

CIE Type Semi-Direct Spacing Criteria (0-180)- 2.62

MODEL	WATTS	BALLAST	OPTIONS	MOUNTING	REFRACTOR	FINISH / TRIM
PRGDH12HS- Parking Garage Fixture with 12" Polycarbonate Reflector	150w	H1 -F-Can Ballast, 120v H2 -F-Can Ballast,277v	QRS1 -Quartz Re-Strick QMP -Quick Mount Plate TSC -Quick Re-Lamp Hardware DCST -Die Cast Ballast Housing	NM3/8 -3/8" Mounting Hub	PR12 -12" Clear Prismatic	GW -Gloss White DCL -Clear Polycarbonate Dome Lower Lens WL -Wet Location POLY -Polycarbonate
<b>PRGDH12HS</b>	<b>150W</b>	<b>H1</b>	<b>QRS/TSC/QMP</b>	<b>NM3/8</b>	<b>PR12</b>	<b>GW / WL</b>

Dimensions shown are nominal. Spectrum Lighting is continually improving products and reserves the right to make changes that will not alter performance or appearance with or without written notice.



PROJECT:

TYPE:

CAT. NO.:

